



REGULATION OF GOVERNOR No. 78

Tallinn, 30 June..... 2015

Declaration of the design competitions for a collector coin dedicated to Jaan Poska and a collector coin for the Estonian delegation/athletes at the XXXI Summer Olympic Games in Rio de Janeiro, and approval of the rules and regulations and the internal procedures of the panel

1. Declare the design competition for a collector coin dedicated to Jaan Poska and approve the 'Rules and regulations of the design competition for a collector coin dedicated to Jaan Poska' (Annex 1) and the 'Internal procedures of the panel of the design competition for a collector coin dedicated to Jaan Poska' (Annex 2).
2. Declare the design competition for a collector coin for the Estonian delegation/athletes at the XXXI Summer Olympic Games in Rio de Janeiro and approve the 'Rules and regulations of a collector coin for the Estonian delegation/athletes at the XXXI Summer Olympic Games in Rio de Janeiro' (Annex 3) and the 'Internal procedures of the panel of a collector coin for the Estonian delegation/athletes at the XXXI Summer Olympic Games in Rio de Janeiro' (Annex 4).
3. Require the International and Public Relations Department to publish in the media the announcement of Eesti Pank about the declaration of the collector coin design competitions with the rules and regulations of the design competitions.

/signature/

Ardo Hansson
Governor

For information:
Supervisory Board of Eesti Pank,
Governor, Deputy Governors,
all departments

Rules and regulations of the design competition for a collector coin dedicated to Jaan Poska

1. Objective of the design competition

The purpose of the design competition for the silver collector coin dedicated to Jaan Poska (hereinafter: the design competition) is to obtain a design suitable for minting a collector coin.

2. Terms and conditions of the design competition

- 2.1. Both individuals and groups of designers may take part in the design competition.
- 2.2. A designer or a group of designers may submit one or several draft designs of the collector coin (hereinafter: draft design/design).
- 2.3. The deadline for submission of draft designs is 12:00 on 18 August 2015.
- 2.4. The draft designs must be submitted by the deadline specified in clause 2.3 to the following address: Mündižürii, Eesti Pank, Estonia pst 13, 15095 Tallinn.
- 2.5. All draft designs must be submitted on a separate sheet and marked with a keyword (different keywords in case of several drafts). A sealed envelope with the following details of the designer must be enclosed with all designs: name, home address, telephone number and/or e-mail address, and registration number in case of sole proprietors). The sealed envelope must be marked with the same keyword that is shown on the submitted design.
- 2.6. The persons taking part in the design competition confirm that the draft designs submitted to the competition are originals and do not violate the intellectual property rights of third parties.
- 2.7. The winner of the design competition will be paid a royalty in the amount of 2,000 (two thousand) euros within ten calendar days of the minted coins being issued. Within ten calendar days of entry into the contract specified in clause 2.9 the designer of the draft design that won second place will be paid a royalty in the amount of 700 (seven hundred) euros, the designer of the draft design that won third place will be paid 500 (five hundred) euros, the designer of the draft design that won fourth place will be paid 200 (two hundred) euros and the designer of the draft design that won fifth place will be paid 100 (one hundred) euros.
- 2.8. Eesti Pank will withhold all the legal taxes and payments from the amounts specified in clause 2.7.
- 2.9. The royalty, except for the royalty for the winning design, will be paid once Eesti Pank and the designer or group of designers have entered into a contract pursuant to which all the proprietary rights of the draft design are transferred to Eesti Pank.
- 2.10. The panel of the design competition has the right to submit proposals for complementing and/or changing the proportions and composition of the winning design.

2.11. The minter of the coin has the right to submit proposals for complementing and/or changing the proportions of the winning design if these arise from the technical requirements for minting the coin.

2.12. Eesti Pank has the right to change the nominal value of the design.

2.13. The designer or group of designers of the winning design will change the draft design without an additional fee on the proposal of the panel or the minter, or in the case of the nominal value at the request of Eesti Pank, and submit the amended design to Eesti Pank within ten calendar days as of the decision being announced.

2.14. If the designer or group of designers of the winning draft design does not, for any reason, change the draft design as requested by the panel or the minter, or change the nominal value as requested by Eesti Pank, the designer or group of designers of the design shall transfer the right to make this decision to Eesti Pank. In such a case, Eesti Pank has the right to select or appoint a third party, if necessary, to make the relevant changes instead of the designer or group of designers of the draft design.

2.15. The designer or group of designers of the winning draft design prepares a plaster model or three-dimensional model of the winning design for the minting of the coin within seven calendar days of entry into the contract specified in clause 2.16, or grants the relevant rights to a third party. If necessary, the designer or group of designers of the draft design consults Eesti Pank when preparing the coin for minting and visits the minter of the coin to assess the stages of preparation.

2.16. A contract for services will be entered into with the designer or group of designers of the winning draft design regarding the preparation of the plaster model or three-dimensional model, and visiting the minter. Eesti Pank will pay up to 500 (five hundred) euros for the preparation of the plaster model or three-dimensional model, and any legal taxes and payments will be withheld from this amount. If it is necessary to visit the minter, Eesti Pank will make the travel arrangements, and pay the travel and accommodation expenses and a daily allowance of 32 (thirty two) euros.

2.17. The persons who participate in the design competition cover all their participation expenses themselves.

2.18. The draft designs submitted to the design competition will not be returned to the designers.

2.19. Eesti Pank will announce the names of the designers of the winning design of the design competition and the designs that came second, third, fourth and fifth.

2.20. By submitting their draft designs of coins to the design competition, the participants agree to the terms and conditions of the competition.

3. Technical conditions of the coin design

3.1. The specifications of the silver collection coin (hereinafter: the coin) have been added to these rules and regulations (Annex 1).

3.2. The requirements for submission of draft designs are as follows:

- 1) the submitted draft designs must be black and white on an A4 sheet in two scales (1 : 1 and 4 : 1), and the highest/lowest surface must be indicated;
- 2) both the obverse and the reverse must be indicated on the design;
- 3) if reflective and matte parts are used in the design, then they must be distinguished from each other;
- 4) the large coat of arms of the Republic of Estonia, the text 'Republic of Estonia' and the year 2016 must be depicted on the obverse of the coin;
- 5) the nominal value and the euro symbol (10 €) (Annex 2 'Specification of the euro symbol €') and a portrait of Jaan Poska or an element of the portrait must be depicted on the reverse of the coin;
- 6) the height of the letters and numbers may not be less than 2 mm;
- 7) coloured and quasi-three-dimensional designs in the same scale may be submitted in addition to the black and white version.

4. Judging the drafts submitted to the design competition

4.1. The draft designs submitted to the design competition and their compliance are judged by a panel convened by Eesti Pank.

4.2. Draft designs that do not comply with the terms and conditions of the design competition will not be considered or judged.

4.3. The panel has the right to not select a winner from among the submitted draft designs and declare the design competition unsuccessful.

4.4. The results of the design competition will be announced by 11 September 2015.

Prepared by:

/signature/

Inga Sokk
25 June 2015

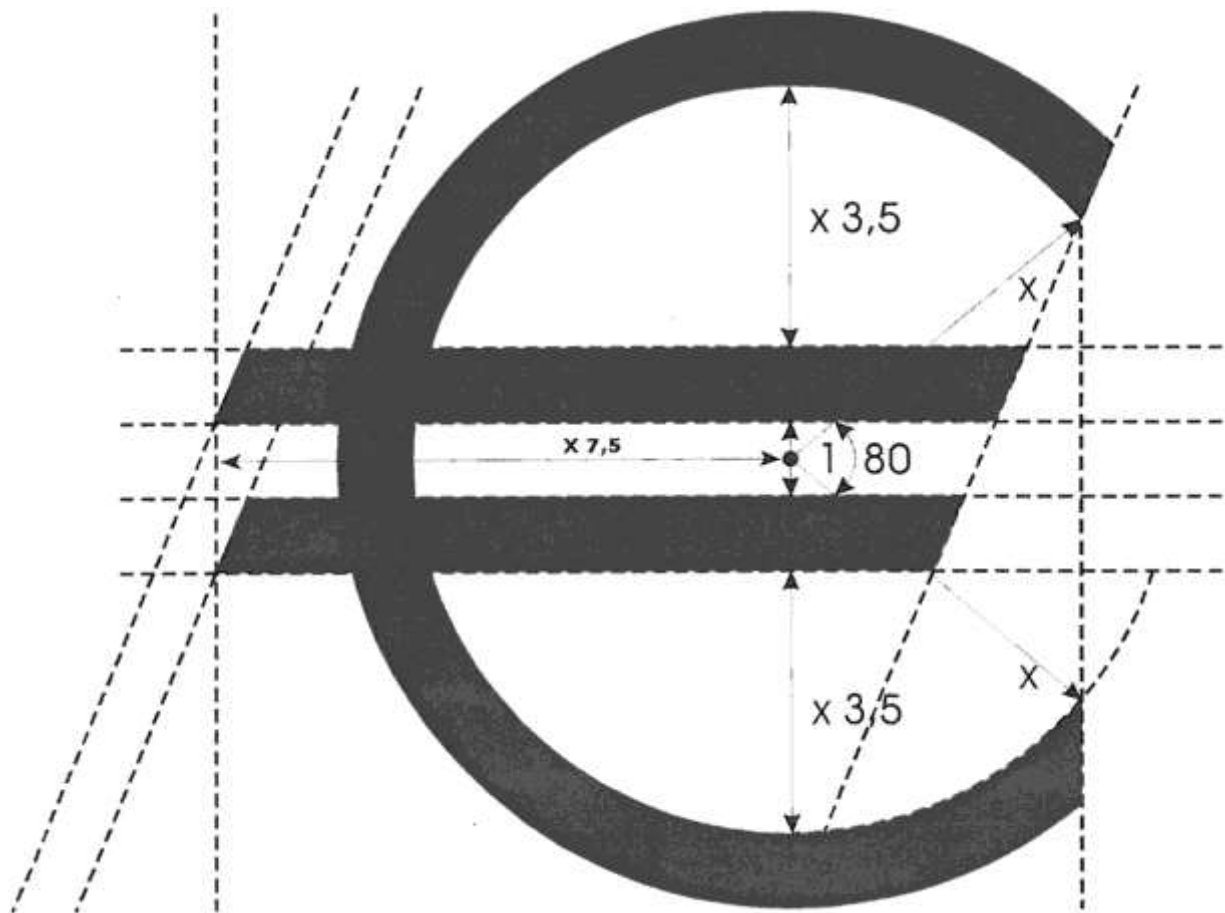
Specifications of the collector coin dedicated to Jaan Poska

1. Technical specifications

Nominal	10 euros
Alloy	Ag 925
Diameter	38.61 mm (± 0.10 mm)
Weight	28.28 g (± 0.25 g)
Shape	round
Edge	smooth
Finish quality	PROOF
Maximum mintage	3,000
Scale of draft design	4 : 1 and 1 : 1 on the same sheet, A4

Specifications of the euro symbol €

Protected area of the euro symbol



**Internal procedures of the panel of the design competition for a collector coin
dedicated to Jaan Poska**

1. Members of the design competition panel

1.1. The draft designs and their compliance are judged by a panel convened by Eesti Pank, and the members of the panel are:

a member of the Executive Board of Eesti Pank – chairman of the panel;

a member of the Supervisory Board of Eesti Pank;

Head of the Cash and Infrastructure Department of Eesti Pank;

Head of the International and Public Relations Department of Eesti Pank;

two representatives from the Estonian Artists Association;

a representative from the Estonian Academy of Art;

a representative of the Institute of History and Archaeology of the University of Tartu.

1.2. No remuneration is paid to the employees of Eesti Pank or members of the Executive Board and Supervisory Board of Eesti Pank. Other members of the panel are paid on the basis of authorisation contracts; each of them will be paid 100 (one hundred) euros for their work, and all legal taxes and payments will be withheld from this amount.

2. Judging the designs submitted to the design competition

2.1. The members of the panel are allowed to view the submitted draft designs at least 48 hours before the time agreed for making the decision.

2.2. The panel makes the decision behind closed doors in the presence of the minute-taker and a lawyer from Eesti Pank.

2.3. All members of the panel have the right to express their opinions and comment on all of the draft designs submitted to the design competition.

2.4. The chairman of the panel determines the order in which opinions and comments can be given.

2.5. In the course of judging the draft designs of the coin, each member of the panel gives points to the five designs they like the most, starting from the best one: 5, 4, 3, 2 and 1.

2.6. The points given to each draft design are added up and the five designs that scored the most points are identified. If two or more draft designs score an equal number of points, the drafts in question are ranked according to the number of the highest scores given to them by the members of the panel, where the number of scores of '5' is compared first.

2.7. The panel has quorum if at least five members, including the chairman of the panel, are present.

2.8. The panel has the right to not select a winner from among the submitted draft designs.

2.9. The panel has the right to make proposals for complementing and/or changing the proportions of the design, but it does not have the right to change the entire design.

2.10. The panel must make the final decision by 26 August 2015.

2.11. The envelopes containing the details of the designers of the draft designs will be opened after the winning designs have become clear.

2.12. A representative of the Cash and Infrastructure Department of Eesti Pank who is not a member of the panel acts as the minute-taker of the panel meeting(s). The minutes of the panel meeting(s) are signed by the members of the panel and the minute-taker.

Prepared by:

/signature/

Inga Sokk
25 June 2015

Rules and regulations of the design competition for a collector coin for the Estonian delegation/athletes at the XXXI Summer Olympic Games in Rio de Janeiro

1. Objective of the design competition

The objective of the design competition for a collector coin for the Estonian delegation/athletes at the XXXI Summer Olympic Games in Rio de Janeiro (hereinafter: the design competition) is to obtain a design suitable for minting.

2. Terms and conditions of the design competition

- 2.1. Both individuals and groups of designers may take part in the design competition.
- 2.2. A designer or group of designers may submit one or several draft designs of the collector coin (hereinafter: draft design/design).
- 2.3. The deadline for submission of draft designs is 12:00 on 18 August 2015.
- 2.4. The draft designs must be submitted by the deadline specified in clause 2.3 to the address: Mündižürii, Eesti Pank, Estonia pst 13, 15095 Tallinn.
- 2.5. All draft designs must be submitted on a separate sheet marked with a keyword (different keywords in case of several drafts). A sealed envelope with the following details of the designer must be enclosed with all designs: name, home address, telephone number and/or e-mail address, and registration number in the case of sole proprietors). The sealed envelope must be marked with the same keyword that is shown on the submitted design.
- 2.6. The persons taking part in the design competition confirm that the draft designs submitted to the competition are originals and do not violate the intellectual property rights of third parties.
- 2.7. The winner of the design competition will be paid a royalty in the amount of 2,000 (two thousand) euros within ten calendar days of the minted coins being issued. Within ten calendar days of entry into the contract specified in clause 2.9 the designer of the design that won second place will be paid a royalty in the amount of 700 (seven hundred) euros, the designer of the design that won third place will be paid 500 (five hundred) euros, the designer of the design that won fourth place will be paid 200 (two hundred) euros and the designer of the design that won fifth place will be paid 100 (one hundred) euros.
- 2.8. Eesti Pank will withhold all the legal taxes and payments from the amounts specified in clause 2.7.
- 2.9. The royalty, except for the royalty for the winning design, will be paid once Eesti Pank and the designer or group of designers have entered into a contract pursuant to which all the proprietary rights of the draft design shall be transferred to Eesti Pank.
- 2.10. The panel of the design competition has the right to submit proposals for complementing and/or changing the proportions and composition of the winning design.
- 2.11. The minter of the coin has the right to submit proposals for complementing and/or changing the proportions of the winning design if these arise from the technical requirements

for minting the coin.

2.12. Eesti Pank has the right to change the nominal value of the design.

2.13. The designer or group of designers of the winning design will change the draft design without an additional fee on the proposal of the panel or the minter, or in case of the nominal value at the request of Eesti Pank, and submit the amended design to Eesti Pank within ten calendar days as of the decision being announced.

2.14. If the designer or group of designers of the winning draft design does not, for any reason, change the draft design as requested by the panel or the minter, or change the nominal value as requested by Eesti Pank, the designer or group of designers of the draft transfers the right to make this decision to Eesti Pank. In such a case, Eesti Pank has the right to select or appoint a third party, if necessary, to make the relevant changes instead of the designer or group of designers of the draft design.

2.15. The designer or group of designers of the winning draft design prepares a plaster model or three-dimensional model of the winning design for the minting of the coin within seven calendar days of entry into the contract specified in clause 2.16, or grants the relevant rights to a third party. If necessary, the designer or group of designers of the draft design consults Eesti Pank when preparing the coin for minting and visits the minter of the coin to assess the stages of preparation.

2.16. A contract for services will be entered into with the designer or group of designers of the winning draft design regarding the preparation of the plaster model or three-dimensional model, and visiting the minter. Eesti Pank will pay up to 500 euros for the preparation of the plaster model or three-dimensional model, and any legal taxes and payments will be withheld from this amount. If it is necessary to visit the minter, Eesti Pank will make the travel arrangements, and pay the travel and accommodation expenses and a daily allowance of 32 (thirty two) euros.

2.17. The persons who participate in the design competition cover all their participation expenses themselves.

2.18. The draft designs submitted to the design competition will not be returned to the designers.

2.19. Eesti Pank will announce the names of the designers of the winning design of the design competition and the designs that came second, third, fourth and fifth.

2.20. By submitting their draft designs of the coins to the design competition, the participants agree to the terms and conditions of the competition.

3. Technical conditions of the coin design

3.1. The specifications of the silver collection coin (hereinafter: the coin) have been added to these rules and regulations (Annex 1).

3.2. The requirements for submission of draft designs are as follows:

- 1) the submitted draft designs must be black and white on an A4 sheet in two scales (1 : 1 and 4 : 1), and the highest/lowest surface must be indicated;
- 2) both the obverse and the reverse must be indicated on the design;
- 3) if reflective and matte parts are used in the design, then they must be distinguished

from each other;

- 4) the large coat of arms of the Republic of Estonia, the text 'Republic of Estonia' and the year 2016 must be depicted on the obverse of the coin;
- 5) the nominal value and the euro symbol (10 €) (Annex 2 'Specification of the euro symbol €') and the logo of the Estonian Olympic Committee (EOC) (Annex to Annex 1) must be depicted on the reverse of the coin;
- 6) the height of the letters and numbers may not be less than 2 mm;
- 7) concerning the logo of the EOC and the proportions, it must be kept in mind that the height of the text 'Estonia' on the logo must be at least 1 mm;
- 8) coloured and quasi-three-dimensional designs in the same scale may be submitted in addition to the black and white version.

3.3. It is prohibited to use the protected symbols of the International Olympic Committee and the Organising Committee of the 2016 Rio de Janeiro Olympic Games in the design of coins.

4. Judging the designs submitted to the design competition

- 4.1. The draft designs submitted to the design competition and their compliance are judged by a panel convened by Eesti Pank.
- 4.2. Draft designs that do not comply with the terms and conditions of the design competition will not be considered or judged.
- 4.3. The panel has the right to not select a winner from among the submitted draft designs and declare the design competition unsuccessful.
- 4.4. The results of the design competition will be announced by 11 September 2015.

Prepared by:

/signature/

Inga Sokk
25 June 2015

**Specifications of the collector coin for the Estonian delegation/athletes at the XXXI
Summer Olympic Games in Rio de Janeiro and terms and conditions of use of the
EOC logo**

1. Technical specifications

Nominal	10 euros
Alloy	Ag 925
Diameter	38.61 mm (± 0.10 mm)
Weight	28.28 g (± 0.25 g)
Shape	round
Edge	smooth
Finish quality	PROOF
Maximum mintage	5000
Scale of draft design	4 : 1 and 1 : 1 on the same sheet, A4

**2. Terms and conditions of use of the official logo of the Estonian Olympic
Committee**

- 2.1. The logo may not be modified in any manner whatsoever.
- 2.2. The logo may be increased or decreased, but only in the correct proportions.
- 2.3. The Olympic rings may not be placed above the flame or next to the flame.
- 2.4. The logo is surrounded by a protected area (logo print added), which can be reduced to the minimum, but the elements of the logo may not be combined with other illustrations or graphics.
- 2.5. The logo must be used with the word 'Estonia'. The font of the text is AGaramond.
- 2.6. The logo may be used in a single colour.

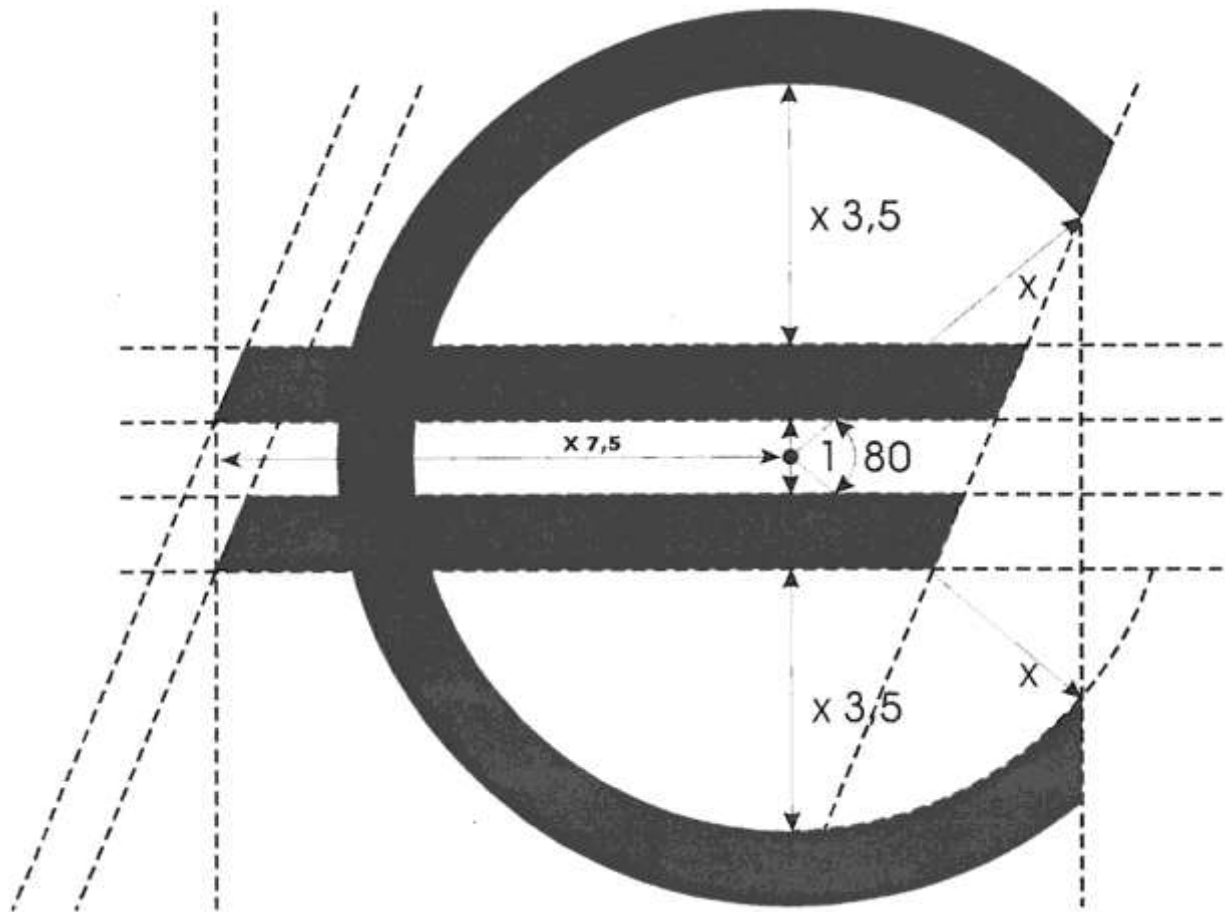
Annex to Annex 1 to the rules and regulations of the design competition for a collector coin for the Estonian delegation/athletes at the XXXI Summer Olympic Games in Rio de Janeiro

Protected area of the EOC logo



Specifications of the euro symbol €

Protected area of the euro symbol



**Internal procedures of the panel of the design competition for a collector
coin for the Estonian delegation/athletes at the XXXI Summer Olympic
Games in Rio de Janeiro**

1. Members of the design competition panel

1.1. The draft designs and their compliance are judged by a panel convened by Eesti Pank, and the members of the panel are:

a member of the Executive Board of Eesti Pank – chairman of the panel;

a member of the Supervisory Board of Eesti Pank;

Head of the Cash and Infrastructure Department of Eesti Pank;

Head of the International and Public Relations Department of Eesti Pank;

two representatives from the Estonian Artists Association;

a representative from the Estonian Academy of Art;

a representative from the Estonian Olympic Committee.

1.2. No remuneration is paid to the employees of Eesti Pank, members of the Executive Board and Supervisory Board of Eesti Pank, and the representative of the Estonian Olympic Committee. Other members of the panel are paid on the basis of authorisation contracts; each of them will be paid 100 (one hundred) euros for their work, and all legal taxes and payments will be withheld from this amount.

2. Judging the drafts submitted to the design competition

2.1. The members of the panel are allowed to view the submitted draft designs at least 48 hours before the time agreed for making the decision.

2.2. The panel makes the decision behind closed doors in the presence of the minute-taker and a lawyer from Eesti Pank.

2.3. All members of the panel have the right to express their opinions and comment on all of the draft designs submitted to the design competition.

2.4. The chairman of the panel determines the order in which opinions and comments can be given.

2.5. In the course of judging the draft designs of coins, each member of the panel gives points to the five designs they like the most, starting from the best one: 5, 4, 3, 2 and 1.

2.6. The points given to each draft design are added up and the five designs that scored the most points are identified. If two or more draft designs score an equal number of points, the drafts in question are ranked according to the number of highest scores given to them by the members of the panel, where the number of scores of '5' is compared first.

2.7. The panel has quorum if at least five members, including the chairman of the panel, are present.

2.8. The panel has the right to not select a winner from among the submitted draft

designs.

2.9. The panel has the right to make proposals for complementing and/or changing the proportions of the design, but it does not have the right to change the entire design.

2.10. The panel must make the final decision by 26 August 2015.

2.11. The envelopes containing the details of the designers of the draft designs will be opened after the winning designs have become clear.

2.12. A representative of the Cash and Infrastructure Department of Eesti Pank who is not a member of the panel acts as the minute-taker of the panel meeting(s). The minutes of the panel meeting(s) are signed by the members of the panel and the minute-taker.

Prepared by:

/signature/

Inga Sokk
25 June 2015